



Please visit us at <http://www.directpowertech.com>

PowerBar Features At a Glance



Powerbar busway requires the lowest clearance above the data center rack (9-10 inches) - Other busway products require 16-18 inches of minimum space

Powerbar busway for data centers has the highest short-circuit/bracing ratings as compared to other open slotted busway systems without the need to series rate (See [Comparative Tech Data](#))

Powerbar tap off boxes have integrated shutters providing a true open-slotted busbar for ultimate flexibility of tap off box placement

All Powerbar tap off boxes have mechanical/electrical interlocks with an earth first, break last safety interlocking feature ensuring polarities match

Powerbar busway can be side mounted as well as top mounted with tap



Click the logo above to be taken to the E+I Site!

The E+I Intelligent Medium

Powerbar is a patented range of busbar trunking that is utilized within Data Centers and various industrial applications to deliver power to electrical loads. A unique open track system made to the highest specification



Technical Features

Conductor/Insulation System

- Constructed from high density 99.99% conductivity copper
- Conductors are insulated with a custom UL & IEC certified thermoplastic material
- Outstanding heat transfer characteristics making it ideal for data center applications

Housing Details

- Constructed with an all-aluminum housing
- Provides a light and durable structure which acts as a ground path

Over Rated Neutral

- Offered as an over rated neutral option for busbar systems with non-linear loads

off boxes facing downward

The Powerbar iMPB offers an advanced metering package which allows for metering of end feed boxes and tap off boxes using a utility grade meter with Modbus, SNMP, TCI/IP, and BACKnet protocols



Also available from E+I Engineering...

Powerboard Power Distribution Unit

- Added neutral capacity prevents overloading caused by zero sequence harmonic currents

Isolated Ground Bar

- 100% full isolated ground systems where ground isolation is required
- Continuity is maintained through the joint pack

Lengths & Joint Pack

Distribution Lengths

- Designed as an open track system
- Tap off units can be plugged in anywhere
- Minimal opening to prevent access to conductors
- Finger safe - Meets an Ingress Protection (IP) rating of IP2x

Busway Joints

- iMPB joint pack securely locks two feeder lengths together utilizing a traditional busbar bolted joint system
- Ease of installation and reliability
- No special tools are required
- Easily disassembled and reassembled



Installation

Installation



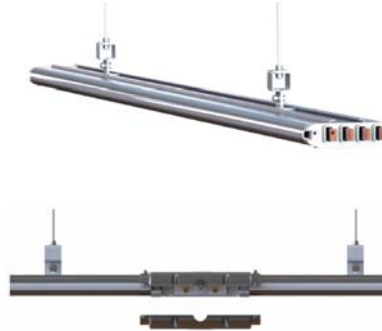
RPPs (Remote Power Panels)



**Switchgear
Switchboards**



- Can be installed on its 'flat' or on its 'edge'
- Brackets to hang bar are supplied per length & ready to attach to drop rods ensuring a seamless install process
- Field adjustable to suit project requirements
- Modular design allows easy installation in either position



Tap Off Units

Key Features

- Worksafe Technology
- Each tap off can be rated up to 125 amps
- Smart metering built in (Optional)
- Interlock feature ensuring polarities match



- Various tap off options w/ built in metering
- Design allows for the tap off unit to be clipped onto the busway and slid into place before engaging the contacts
- Tap off handle is designed to have a positive lock once fully rotated
- Designed with the installers safety in mind
- Mechanical interlock prevents tap off unit from being removed while in the ON position



Metering

Key Features

- Advanced metering packages available which allow the user to monitor, integrate, and display data center power information
- RJ45 connection use by Powerbar metering devices

- Wired and wireless versions of monitoring system are available for iMPB busway
- Choice of three packages - Plus, Advanced, and Status
- Modules are run in a daisy chain from meter to meter utilizing the side channel in the housing for the cabling



End Feeds

Key Features

- Ability to provide standard cable end boxes with options for cable entry from various points
- Center feeds, and load bank end feeds are also available
- Capabilities to design custom end feeds to meet specific project requirements



Comparative Tech Data - Busway Bracing SCCR

Powerbar

50ka 160-800 Amps

Starline

22Ka B250T5, N, G, NG

35Ka* B400T5, N, G, NG

50Ka* B800CA

35Ka* B800CC

* = Requires series rated protective devices



Your Data Center Optimization Resource!

For more information please contact Mark Baldwin

Mark Baldwin
President
Direct Power Technologies, Inc.

Direct Power Technologies
4801 Tesla Drive
Suite G
Bowie, MD 20715
301-860-1934
markb@directpowertech.com

Copyright © 2014. All Rights Reserved.

[Forward this email](#)



Wk lv hp d l k z dv # h q w # r # s d x c g l h f w s r z h u h f k l f r p # e | # [p_duneC_q_lhfwsrz_hwhfk1frp_](#) ; #
[X_sadwh#Sur_ikh2Hp_d_bDcauhvv](#) ; Uds l j uhp rydd # k # [V_dihXavxevfuleh](#) # ; [Su1ydf | Srd f | 1](#)



Try it FREE today.

G l h f w # s r z h u h f k q r a r j l h v ; 7 ; 3 4 W h v a i # G u l y h ; V x l h J ; E r z l h ; P G ; 5 3 : 4 8